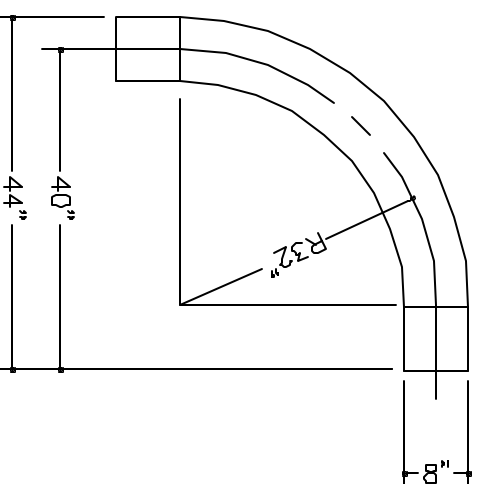
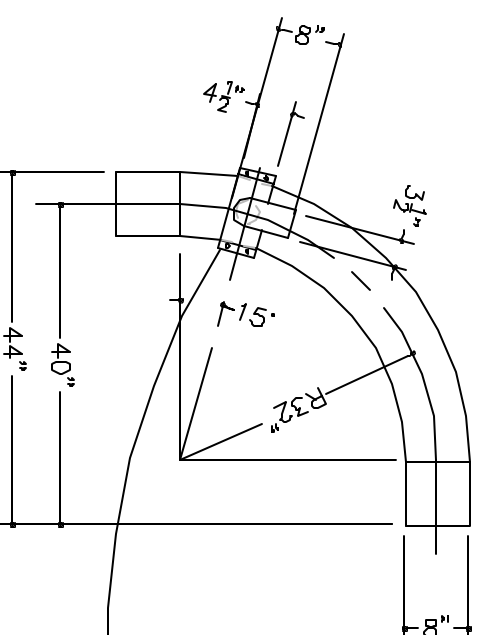
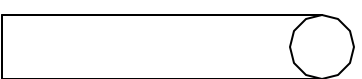


AIR HANDLER ASSY
 AVC PART #781-4000
 WEIGHT: 45 LBS.

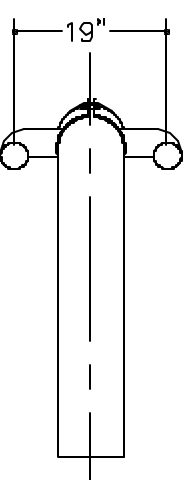


STL BEND, 8x32
 AVC PART #9033-0004
 WEIGHT: 30 LBS.



STL BEND w/AIR PORT, 8x32
 AVC PART #9033-0002
 WEIGHT: 30 LBS.

PIPE SADDLE KIT ASSY, 8x3-1/2
 AVC PART #781-4100



HOSE, 3-1/2" x 20'
 AVC PART #2275-0004
 WEIGHT: 30 LBS.

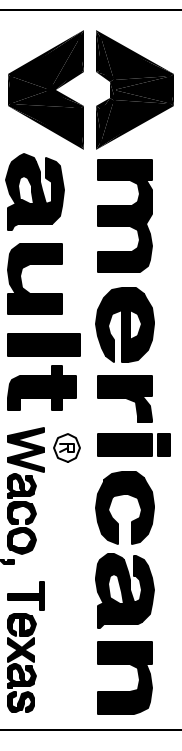
CONDUIT, 3/4" IMC x 10' (POWDER COATED)
 AVC PART #700-9911
 WEIGHT: 12 LBS.

STL TUBE, 8"x16 GAX10'LG
 AVC PART #9033-0001
 WEIGHT: 50 LBS.

STL SLP CPLG, 8"x8" LG.
 AVC PART #9033-0003
 WEIGHT: 7 LBS.

PROTECTION (SHRINK) SLV, 8"x18"
 AVC PART #9033-0006
 WEIGHT: 1 LBS.

DO NOT SCALE



PRODUCT APPLICATION DRAWING
 700 SERIES 8" COMMERCIAL TRANSPORT SYSTEM

MODEL 781-01
 COMPONENT DETAILS

| SIZE | DWG NO | DATE | SHEET |
|----------|--------|------------|--------|
| B | 20142 | 08.18.2005 | 2 OF 4 |