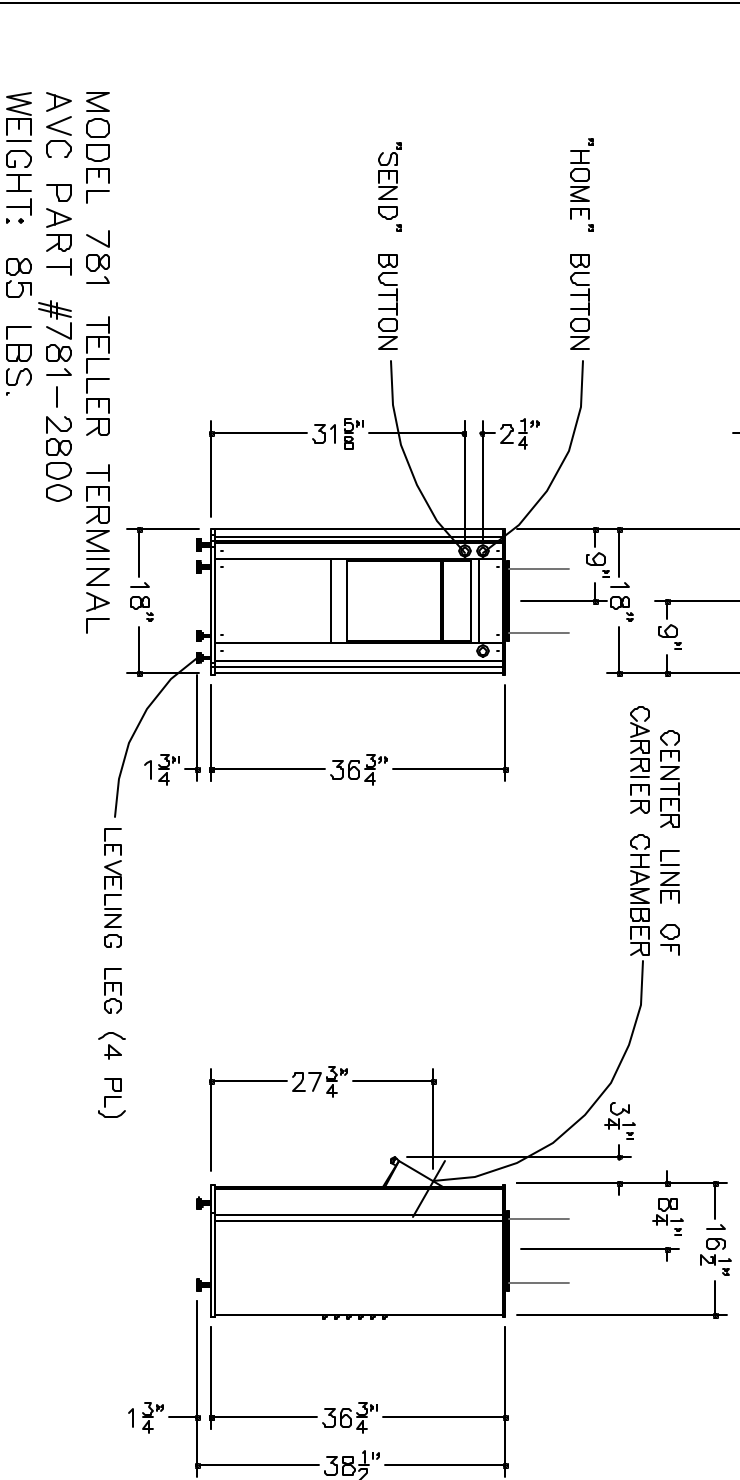


MODEL 781 CUSTOMER TERMINAL
 AVC PART #781-1800
 WEIGHT: 85 LBS.

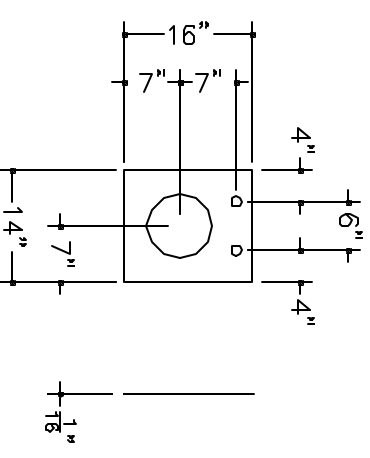
NOTES:
 1. ORDER ADDITIONAL AS REQUIRED.

A/R	EA	2007-0020	CABLE,3 PR,SHIELDED,1000' SPOOL	1
A/R	EA	2009-0003	CABLE,15 COND,22 AWG,1000' SPOOL	1
A/R	EA	9033-0004	STL BEND,8x32	1
ADDITIONAL ITEMS REQUIRED DEPENDING ON JOB CONDITIONS				

4	EA	9033-0006	PROTECTION (SHRINK) SLY,8"x18"	1
4	EA	9033-0003	STL SLP CPLG,8"x8" LG.	1
2	EA	9033-0002	STL BEND W/AIR PORT,8"x32"	1
2	EA	9033-0001	STL TUBE,8"x16 GAx10' LG.	1
20	FT	2275-0004	HOSE,3-1/2"	1
4	EA	700-9911	CONDUIT,3/4"MCx10' (POWDER COATED)	
2	EA	781-9182	CEILING TRANSITION TRIM	
1	EA	781-9153	COUNTER-TOP TRIM	
2	EA	781-4100	PIPE SADDLE KIT ASSY,8x3-1/2	
1	EA	781-1400	INSTALLATION HARDWARE KIT ASSY	
2	EA	781-4000	AIR HANDLER ASSY	
1	EA	781-5100	CARRIER ASSY, 8" SIDE OPENING	
1	EA	781-1800	CUSTOMER TERMINAL ASSY	
1	EA	781-2800	TELLER TERMINAL ASSY	
QTY	UOM	PART NO.	DESCRIPTION	NOTE
MODEL 781-01 COMMERCIAL TRANSPORT SYSTEM INCLUDES THE ABOVE				



MODEL 781 TELLER TERMINAL
 AVC PART #781-2800
 WEIGHT: 85 LBS.



CEILING TRANSITION TRIM
 AVC PART #781-9182

DO NOT SCALE

PRODUCT APPLICATION DRAWING
 700 SERIES 8" COMMERCIAL TRANSPORT SYSTEM
 MODEL 781-01
 COMPONENT DETAILS

SIZE	DWG NO	DATE	SHEET
B	20142	08.15.2005	1 OF 4