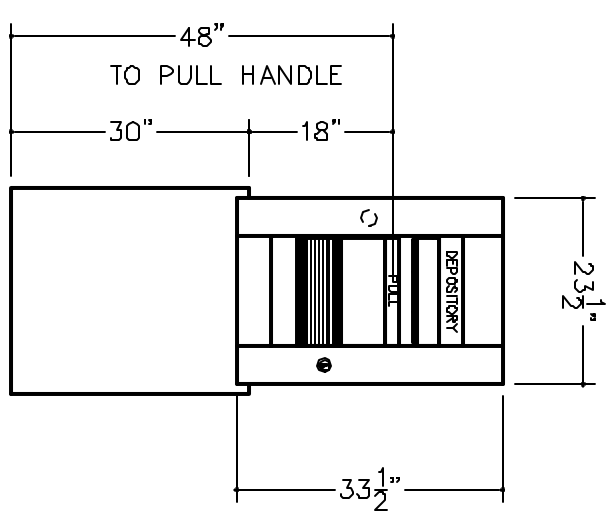
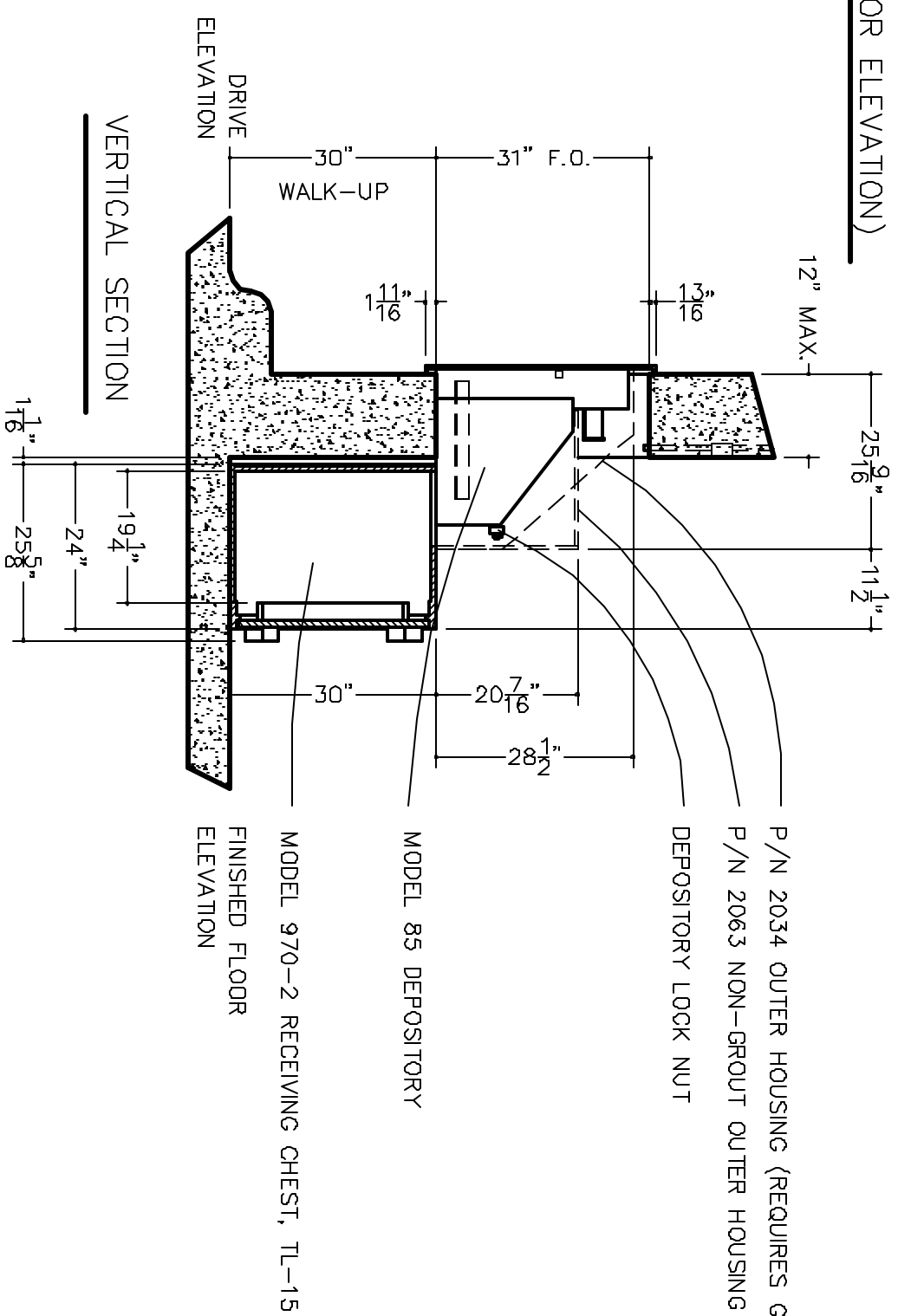


- NOTES:
1. APPROXIMATE WEIGHT (CHEST ONLY) : 910 LBS.
  2. FINISH: TAUPE
  3. RIGHT SWING SHOWN. LEFT SWING OPPOSITE.
  4. P/N 2034 OUTER HOUSING IS TO BE WELDED TO RECEIVING CHEST AND REQUIRES ENCASUREMENT IN 6" OF CONCRETE.
  5. P/N 2063 NON-GROUT OUTER HOUSING IS TO BE WELDED TO RECEIVING CHEST AND SHOULD NOT BE ENCASSED IN CONCRETE.
  6. INTERIOR WALL OPENING AROUND OUTER HOUSING IS TO BE FILLED (BY OTHERS) USING APPROPRIATE MATERIALS.

FINISHED OPENING (INTERIOR ELEVATION)

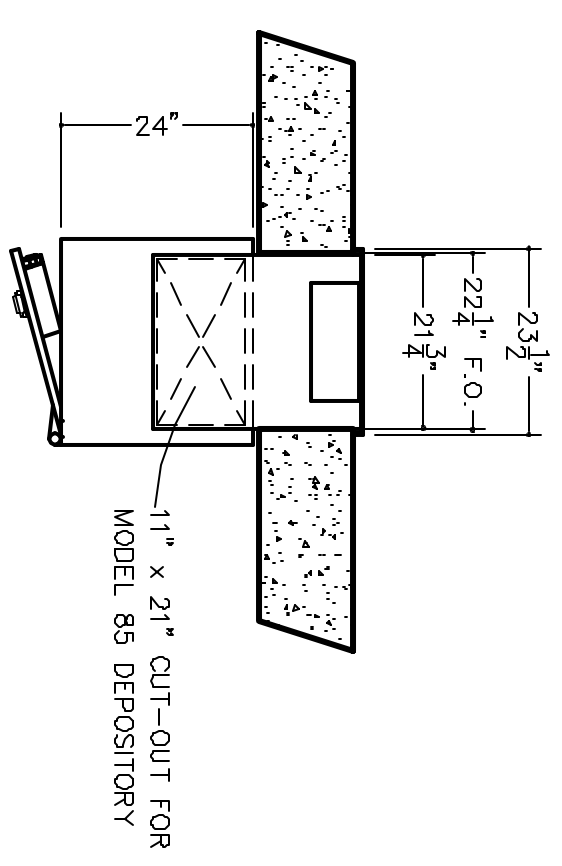


EXTERIOR ELEVATION

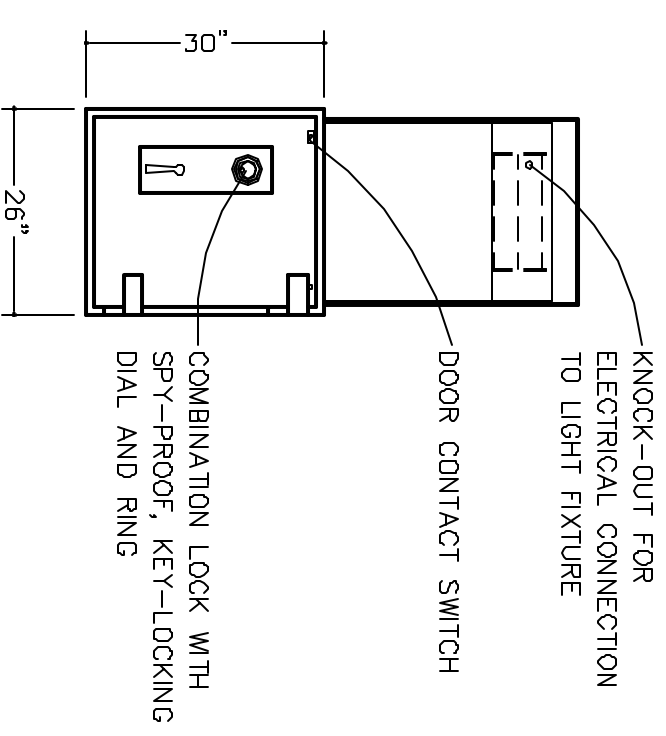


VERTICAL SECTION

HORIZONTAL SECTION



INTERIOR ELEVATION



**CAUTION!**  
 ONLY PROFESSIONALS EXPERIENCED  
 AND QUALIFIED IN THE INSTALLATION  
 OF SAFES SHOULD INSTALL THIS  
 PRODUCT.



**American Vault**  
 Waco, Texas

DESCRIPTION PRODUCT APPLICATION DRAWING			
MODEL 970-2 RECEIVING CHEST SHOWN WITH			
MODEL 85 DEPOSITORY INSTALLED			
SIZE	DWG. NO.	DATE	SCALE
<b>B</b>	20044	12.07.01	NONE
			SHEET 1 of 1